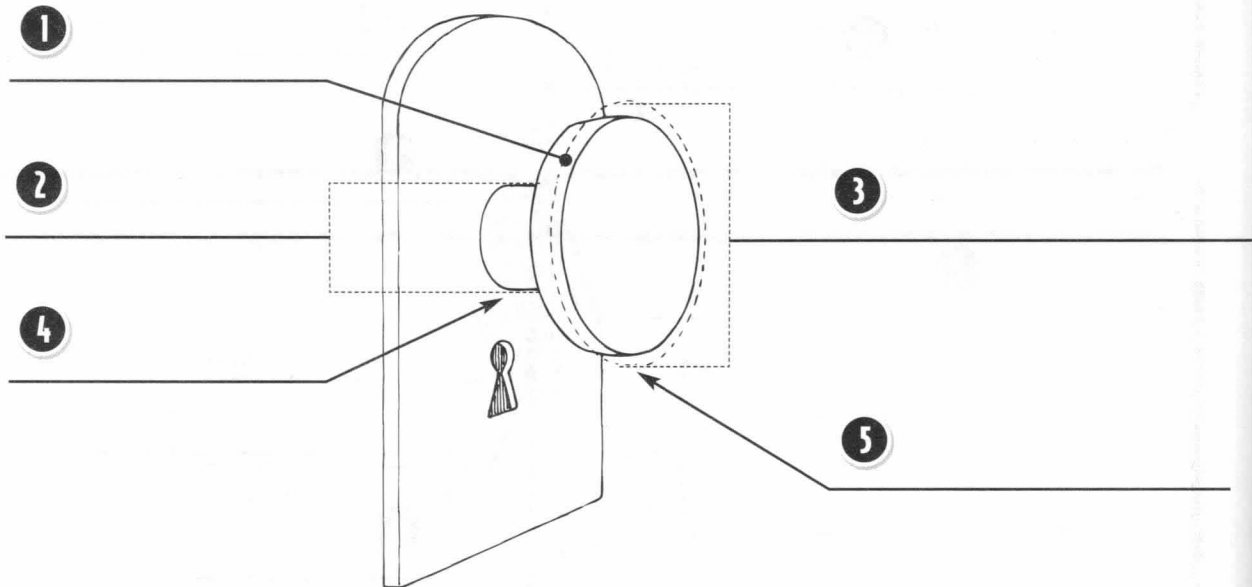


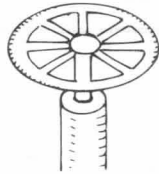
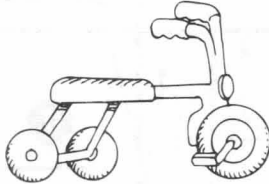

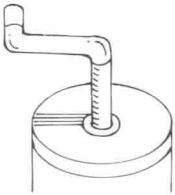
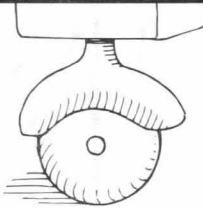
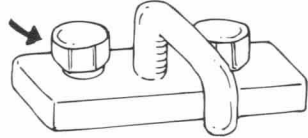
Wheels and Axles

We see wheels on things every day. However, these kinds of wheels do not always do the same kind of work as the simple machine called the wheel and axle. The purpose of some wheels is to reduce friction by allowing an object to roll instead of drag. The simple machine is made up of a small wheel attached to a larger wheel. The small wheel is the axle. It is usually a rod that turns as a larger wheel turns. Use the terms in the word box to label the diagram.

distance axle uses force distance you use
 large wheel makes turning easier small wheel is difficult to turn



Write **wheel and axle** if it operates like a simple machine to increase force.
 Write **reduce friction** if that is the purpose of the object in the diagram.

 6 _____	 7 _____	 8 _____
 9 _____	 10 _____	 11 _____